

Ultra Compact, 1.5W to 25W Single and Dual DC-DC Converters

Features

- ◆ Compact Footprint / Low Profile
- ◆ Through Hole or SMT Versions
- ◆ 5V, 12V, 24V & 48V Inputs
- ◆ 3.3 to 30V1 Single, ±12 to 15V Dual Outputs
- ◆ Output Voltage Adjustment
- ◆ Input - Output Isolation
- ◆ RoHS Compliant
- ◆ 5 Year Warranty
- ◆ Self contained
- ◆ Multiple Input Voltage configurations
- ◆ Open frame (no potting)



Key Market Segments & Applications



Specifications	
Model	
Nominal Output Voltage	V 3.3V 5V 12/15V ±12/15 (24/30) ¹
DC Input	V 5V: 4.5-9.0V, 12V: 9-18V, 24V: 18-36V, 48V: 36-76V
Efficiency	% 71 to 90% model dependant
Output Voltage Tolerance	% 1.5-10W: ±3%, 15-25W: ±5% ±5%
Output Adjustment (via trim pin)	V 3.15-3.6V (5) 4.75-6.0V (5) 11.4-15V 22.8 - 30V
Line Regulation	mV 20 (40 CC15; 30 CC25) 40 80
Load Regulation	mV 40 (120 CC15; 200 CC25) 100 600 ²
Temperature Coefficient	% <± 0.02%/°C
Preload	- No preload required
Output Ripple (typ./max.BW 50MHz)	mV 40/120 30/120
Overcurrent Protection	- Output current limiting with automatic recovery, shutdown CC15, 25 type
Overvoltage Protection	- No
Remote On/ Off	- CC1R5, 3, 6, & 10: RC terminal open, output is OFF; RC terminal to -Vin (0-0.4V), output is ON CC15 & CC25: RC terminal open, output is ON; RC terminal to +Vin, output is OFF
Operating Temp.- Convection	°C -40 to 85°C, derates linearly to 40% load from 50°C to 85°C
Operating Temp.- Forced Air	°C -40°C to 85°C with 1m/s air full load
Storage Temperature	°C -40°C to 85°C
Humidity (non Condensing)	- 95% RH max.(maximum wet-bulb temperature: 38°C)
Isolation Voltage	- 500VAC 1 min. Input to output, input to case, output to case
Isolation Resistance	- Input to output, input to case, output to case: 50M ohm min. (500VDC)
Shock	m/s ² 980m/s ² (100G) 6ms (6 directions, each 3 times)
Vibration (non Operating)	- 10 to 55Hz (sweep for 15min) 1.52mm constant, 3 directions X, Y, Z each 2 hours
Safety Agency Approvals	- UL60950-1, CSA60950-1, EN60950-1, CE Mark
Weight	g CC1R5: 3.2, CC3: 4.5, CC6: 5.8, CC10:10.0, CC15: 12.5, CC25: 20.0
Size (L x W x H) (DIP Through Hole and SMD package) (SIP Through Hole only)	in CC1R5: 0.650 x 0.654 x 0.335; CC3: 0.900 x 0.654 x 0.335; CC6: 0.900 x 0.831 x 0.335 CC10: 1.400 x 0.890 x 0.335; CC15: 1.500 x 1.264 x 0.295; CC25: 1.701 x 1.768 x 0.295 CC3 (SIP): 1.09 x 0.362 x 0.705
Warranty	- 5 years

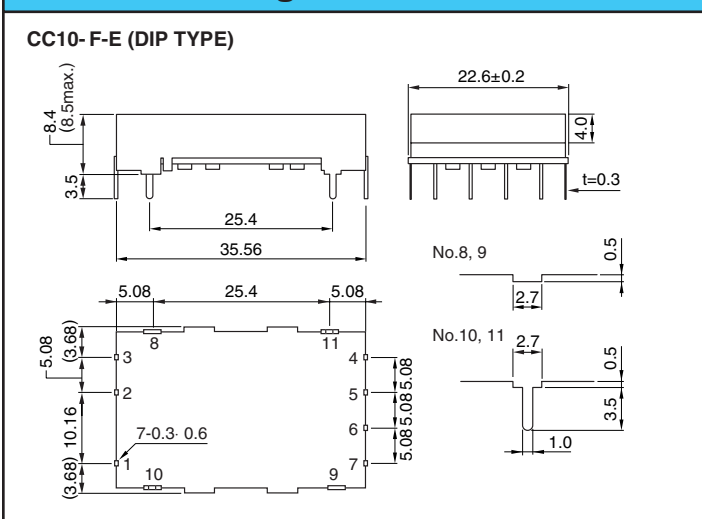
1. For 24V/30V output - connect across +Vout & -Vout and leave "common out" pin not connected
2. Based upon equal load current from both outputs

3. For 15V output connect trim to -Vout
4. See Installation Manual for full specs, test methods of parameters & application notes
5. Not available on CC15 and CC25 models

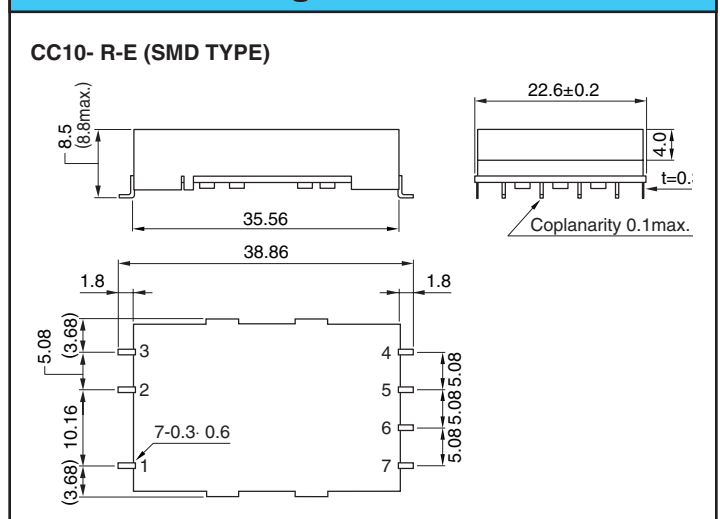
Model Selector

Output Voltage (V)	Output Current (A)	Output Power (W)	5V Input	12V Input	24V Input	48V Input
Single Outputs						
3.3	0.4	1.5	CC1R5-0503SF-E	CC1R5-1203SF-E	CC1R5-2403SF-E	CC1R5-4803SF-E
3.3	0.8	3	CC3-0503SF-E	CC3-1203SF-E	CC3-2403SF-E	CC3-4803SF-E
3.3	1.2	6	CC6-0503SF-E	CC6-1203SF-E	CC6-2403SF-E	CC6-4803SF-E
3.3	2.5	10	CC10-0503SF-E	CC10-1203SF-E	CC10-2403SF-E	CC10-4803SF-E
3.3	4.5	15	-	-	CC15-2403SF-E	-
3.3	7.5	25	-	-	CC25-2403SF-E	-
5	0.3	1.5	CC1R5-0505SF-E	CC1R5-1205SF-E	CC1R5-2405SF-E	CC1R5-4805SF-E
5	0.6	3	CC3-0505SF-E	CC3-1205SF-E	CC3-2405SF-E	CC3-4805SF-E
5	1.0	5	CC6-0505SF-E	-	-	-
5	1.2	6	-	CC6-1205SF-E	CC6-2405SF-E	CC6-4805SF-E
5	2.0	10	CC10-0505SF-E	CC10-1205SF-E	CC10-2405SF-E	CC10-4805SF-E
5	3.0	15	-	-	CC15-2405SF-E	-
5	5.0	25	-	-	CC25-2405SF-E	-
12(15)	0.125(0.1)	1.5	CC1R5-0512SF-E	CC1R5-1212SF-E	CC1R5-2412SF-E	CC1R5-4812SF-E
12(15)	0.25(0.2)	3	CC3-0512SF-E	CC3-1212SF-E	CC3-2412SF-E	CC3-4812SF-E
12(15)	0.5(0.4)	6	CC6-0512SF-E	CC6-1212SF-E	CC6-2412SF-E	CC6-4812SF-E
12(15)	0.8(0.64)	10	CC10-0512SF-E	-	-	-
12(15)	1.0(0.8)	10	-	CC10-1212SF-E	CC10-2412SF-E	CC10-4812SF-E
Dual Outputs						
±12 (15)3	0.06(0.05)	1.5	CC1R5-0512DF-E	CC1R5-1212DF-E	CC1R5-2412DF-E	CC1R5-4812DF-E
±12 (15)3	0.125(0.1)	3	CC3-0512DF-E	CC3-1212DF-E	CC3-2412DF-E	CC3-4812DF-E
±12 (15)3	0.25(0.2)	6	CC6-0512DF-E	CC6-1212DF-E	CC6-2412DF-E	CC6-4812DF-E
±12 (15)3	0.4(0.32)	10	CC10-0512DF-E	-	-	-
±12 (15)3	0.45(0.36)	10	-	CC10-1212DF-E	CC10-2412DF-E	CC10-4812DF-E

Outline Drawing



Outline Drawing



Options

Version	Description
F-E	Through hole mounting (DIP pkg)
R-E	Surface mount (DIP pkg)
S-E	Through hole mounting (SIP pkg - CC3)

Other Industrial Products

PX	10 - 40W 12, 24, 48V DC-DC converters
PAQ,	50 -700W quarter, half & full bricks
PAH, PAF	

Pinout (CC1R5, 3, 6, and 10)

Pin	Single	Dual
1	+Vin	+Vin
2	RC	RC
3	-Vin	-Vin
4	NC	-Vout
5	-Vout	Common out
6	TRM	TRM
7	+Vout	+Vout

For CC15 and 25 see Installation Manual online

For Additional Information, please visit
us.tdk-lambda.com/lp/products/cc-series.htm

